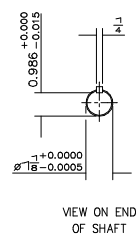
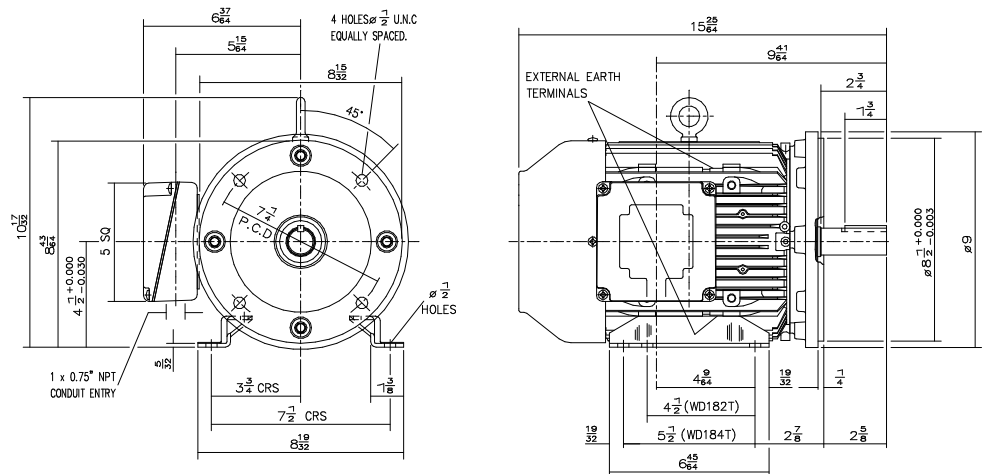


DRG. No. W32GE000/2
 DRG. REF.



TERMINAL BOX POSITION: - CAN BE ARRANGED AT EITHER 9, 12 OR 3 O'CLOCK BY MOVING
 STANDARD TERMINAL BOX POSITION IS 9 O'CLOCK AS SHOWN.
 CONDUIT ENTRIES: - TERMINAL BOX CAN BE ROTATED AT 90° INTERVALS.
 (CONDUIT ENTRY POSITION SHOWN FOR ILLUSTRATION ONLY).

CUSTOMER
 ORDER No.
 PART No.
 OUR ORDER No.
 FRAME SIZE
 KW. RPM.
 HZ. PHASE
 VOLTS. POLES
 BRGS. DE. NDE.
 MOTOR NETT WT. Kg.
 SPECIAL REMARKS

ALL DIMENSIONS IN INCHES
 FIRST ANGLE PROJECTION
BROOK CROMPTON
 Huddersfield, HD1 3LJ
 ENGLAND

SHEET TITLE
 SIZE OUTLINE DIMENSION DRAWING 'W' ALUMINIUM TOTALLY ENCLOSED FAN COOLED
 A3 182/4T FRAME FOOT & 'C' INCH FACE(8.5" SPIGOT) MOUNTED MOTOR.

	NAME	DATE
DRAWN	MI	5-10-95
CHECKED	JWD	5-10-95
SCALE	1: 3.5	

DRG. No.	W32GE000/2		
DRG. REF.			
REVISION:	DH	DATE	07-03-02